

# XTENSO 3

# KLUBB®

CONFIDENCE AT ITS HIGHEST LEVEL

## AERIAL PLATFORM WORKSHOP VERSION



Working height



CPL Ltd  
+44 (0)1536 529876  
<https://www.cumberlanduk.co.uk/>  
38b Telford Way, Telford Industrial  
NN16 8UN Estate, Kettering, Northamptonshire  
United Kingdom



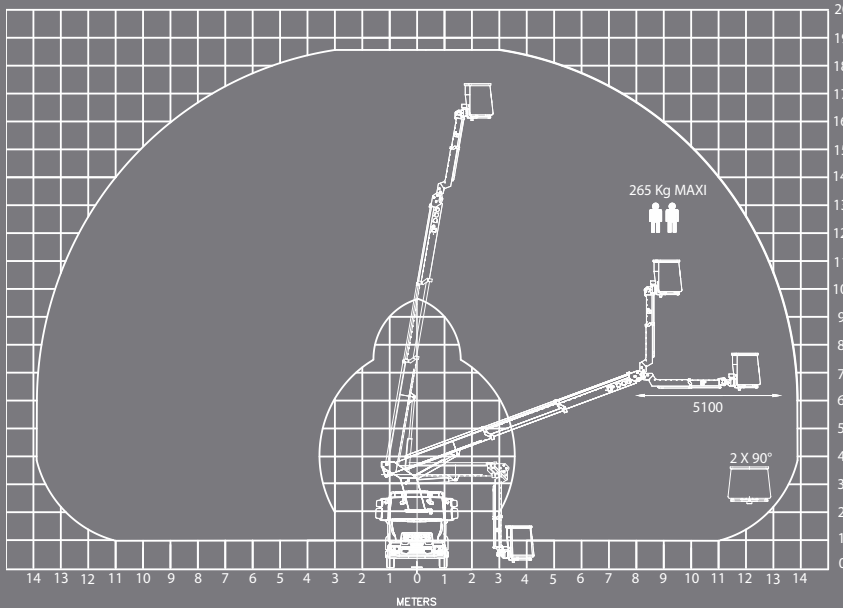


# TELESCOPIC AERIAL PLATFORM

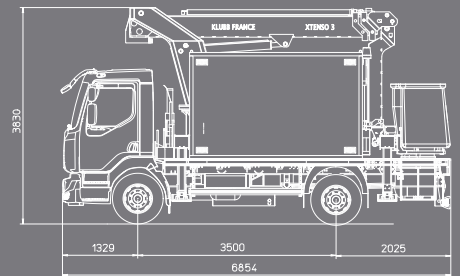
## mounted on chassis - Workshop version

# XTENSO 3<sup>®</sup>

### WORKING DIAGRAM



### VEHICLE DRAWING



### PORTEURS POSSIBLES

- MAN TGL
- MAN TGM
- IVECO EUROCARGO
- RENAULT D
- MERCEDES ATEGO
- MERCEDES UNIMOG
- PTAC : from 14 ton

For vehicle options, please contact us before ordering  
Installation on lower tonnages, please contact us



18.50m  
(60'8")



13.90m  
(45'7")



16.50m  
(54'2")



420°



Jib



265Kg



Four  
outriggers



89 x 115 x 156cm



Hour  
counter

### STANDARD SPECIFICATIONS

- Engine start and stop from basket
- Stabilization with independent controls in the basket and from the ground
- Independant emergency manual pump
- Proportional controls on all movements
- Secure access to the working platform
- Hoses and cables are inside the boom structure for maximum protection
- Automatic centering of the platform and the turret
- Lifting arm consisting of a double telescope and a telescopic jib with 180° orientation
- Telescopic jib for an overhang of more than 5.10m and allowing 360° access to the ground
- Hydraulic rotation of the basket in all positions



### AERIAL PLATFORM OPTIONS

- Signaling devises (triflash, 2 flashing lights, reflective strips)
- 220V electric socket in the basket
- Trailer hook
- Reinforced suspensions
- Fully opening insulating baasket
- Aluminium chests
- Ladder rack
- Cycle of use without outriggers
- Green Pack: the platform can be operated with the van engine turned off

For more platform options, please contact us before ordering

/ DEMONSTRATION ON DEMAND



KLUBB | XTENSO3