

With Us, You can

**HIGH  
GREEN  
SAFE**



- 
**30 m**
- 
**13 m**
- 
**330 kg\***  
\*optional
- 
**Bi-energy  
Eco  
Hybrid**
- 
**Crawlers**
- 
**Wheels**



## SPIDER LIFT



### STANDARD EQUIPMENT

- Available power options: Bi-energy (Diesel + AC), Eco (AC+Battery), Hybrid (Diesel+AC+Battery)
- Hydraulic steering and transmission on rubber tracks at variable width
- Independent outriggers rotating on 2 different positions
- Automatic set-up with self-levelling
- Turntable rotation at 660°
- CANBUS electronics
- Steel made telescopic boom + fixed jib
- Hydraulic and electric lines inside the boom
- Removable aluminium alloy aerial cage 180x70x110 cm, with hydraulic rotation 90° + 80°
- "Area manager" limiting device for safe working load 120 and 230 kg
- Load sensor on the cage
- Cable control at the ground + electric control at the cage
- 230VAC electric plug on the cage
- PalSystem with touchscreen monitor for diagnostics and monitoring of operating parameters
- CE Mark homologation certificates, manuals, stickers and spares book in English language

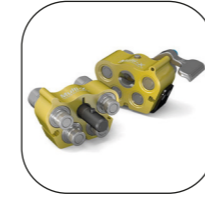


## OPTIONAL



### HYDRAULIC WINCH 500 KG

The winch, replacing the basket, allows to transform the Spider lift in Spider crane with a maximum lifting capacity of 500 kg. It is supplied with a special mobile support for the basket disassembled.



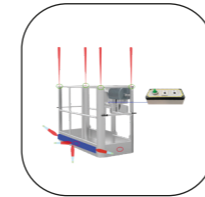
### QUICK PIPES COUPLING KIT FOR HYDRAULIC WINCH 500 KG

Coupling system and quick release of the hydraulic winch to accelerate and speed up the replacement between basket and winch, reducing significantly the machine downtime.



### PROTECTION OF PRUNERS

Covers kit in iron for delicate parts of the machine such as cylinders stems, valves and reels to protect against branches or other materials falling from above.



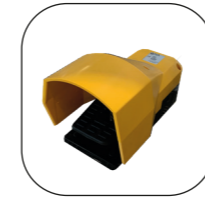
### BASKET ANTI-COLLISION KIT

The laser sensors are positioned at the four corners of the basket and monitor the distance between the operator and any vertical obstacles. Ultrasonic sensors check the presence of any obstacles around the perimeter.



### NON-MARKING TRACKS

white rubber, ideal to operate indoor and/ or on delicate floors



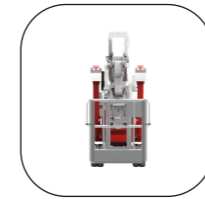
### PEDAL TO THE CAGE

Safety pedal to operate the movements from the cage.



### ADDITIONAL AIR/WATER PIPES

Extra-large diameter compressed air/water pipe to the basket.



### CAGE 70x70x110

One-man aluminum cage size 70x70 cm, suitable for work in particularly narrow spaces.



### TOUCHSCREEN MONITOR IN THE CAGE

Installed on the cage control panel, providing the operator with all detailed and salient information of the aerial working platform he needs during aerial work.



### KIT PALCONNECT

Remote connection service with the aerial platform that allows the user to monitor the key parameters of use of the machine and intervene with some of them.



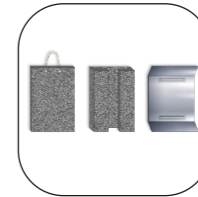
### 3<sup>rd</sup> WORKING AREA

Work area with an increased load, to have the possibility to work with 330 kg of load in the basket



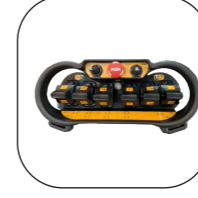
### CUSTOMIZED COLOURS

Possibility to customize the colours of the tracked lift with different RAL according to the client's corporate livery



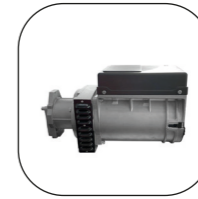
### PADS FOR OUTRIGGERS

Different type of pads to distribute the load of the stabilizers on the ground and have greater stability of the machine.



### RADIO CONTROL

Circuit of radio-wave driven controls, for ground operation even at a great distance.



### ELECTRIC GENERATOR

230VCA single-phase, powered by the diesel engine, connected to an electrical socket in the cage, for the use of electrical tools during aerial working



### INTERCOM CIRCUIT

electronic device for voice communication between the operator at height in the basket and the operator on the ground



### ANEMOMETER

device for measuring the wind, with an acoustic warning of the wind max speed allowed for aerial working



### RETURN TO HOME FUNCTION

The "return to home" function allows to automatically return to the transport position by pressing a button on the controls.



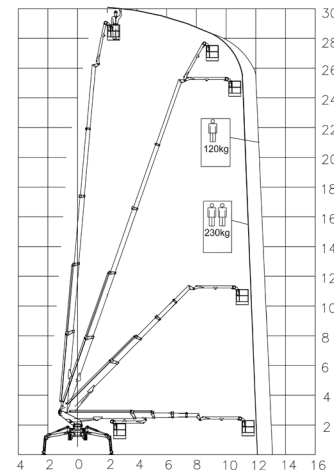
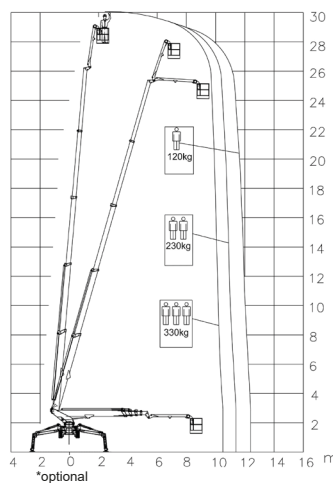
**BI-ENERGY**



Diesel  
14,7 kW

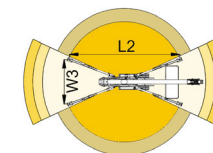
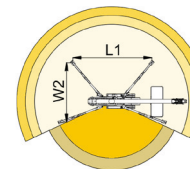
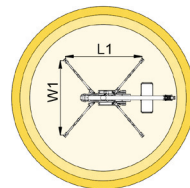
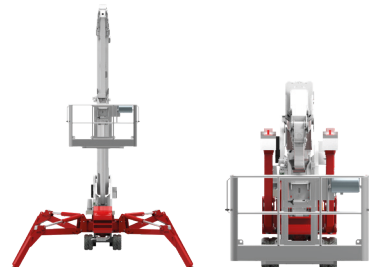
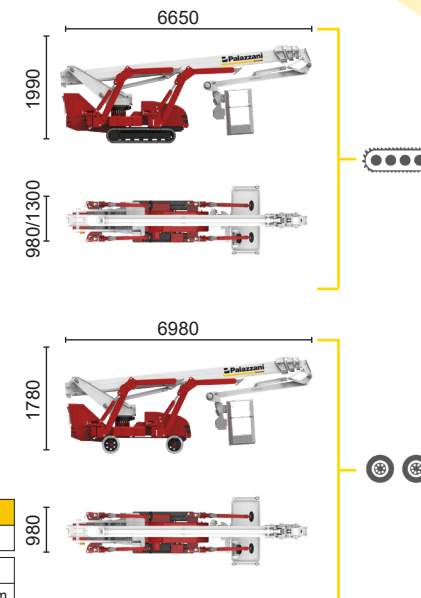


Single-phase  
Electric motor  
230VAC - 2,2 kW



10,5 m	11,4 m	12,4 m	7,5 m	
330 kg*	230 kg	120 kg	120/230 kg	
L1	L2	W1	W2	W3
4927 mm	6436 mm	4791 mm	3828 mm	2865 mm

12 m	13 m	8 m		
230 kg	120 kg	230/120 kg		
L1	L2	W1	W2	W3
4927 mm	6436 mm	4791 mm	3828 mm	2865 mm



TSJ 30.1/C		30 m	13 m	330 kg*	660°	180x70 cm	90°+80°	2,86-4,79 m	44%	42%	1,2 km/h	4580 kg	29 kN	1,94 kN/m <sup>2</sup>	3,83 kN/m <sup>2</sup>
TSJ 30.1/R		30 m	13 m	330 kg*	660°	180x70 cm	90°+80°	2,86-4,79 m	44%	29%	1,2 km/h	4840 kg	29 kN	2,05 kN/m <sup>2</sup>	3,85 kN/m <sup>2</sup>

Available power options:

**BI-ENERGY** (DIESEL+AC)

**ECO** (AC+BATTERY)

**HYBRID** (DIESEL+AC+BATTERY)

Characteristics and technical data are informative only and subjected to change without notice.

Palazzani Industrie S.p.A.

Via del Pavione, 4 - 25050 - Paderno F.C. (BS) - Italy

Tel. (+39) 0306857073

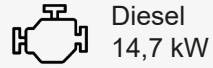
info@palazzani.it

www.palazzani.it





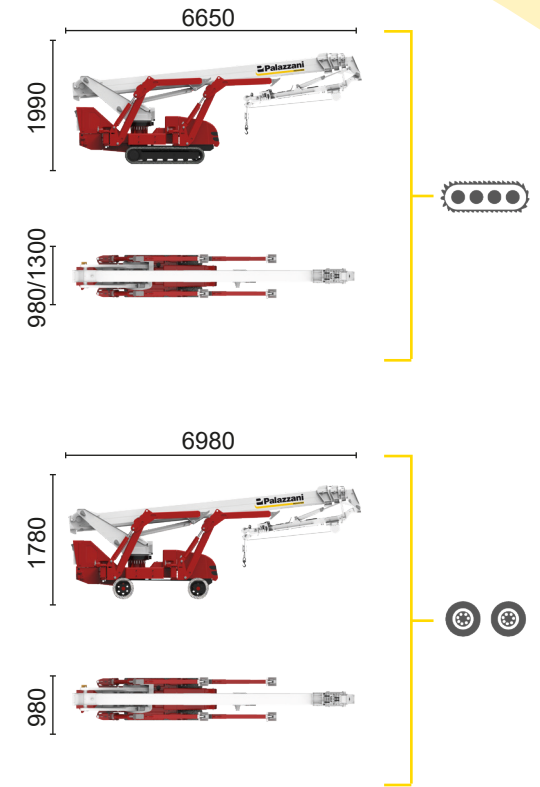
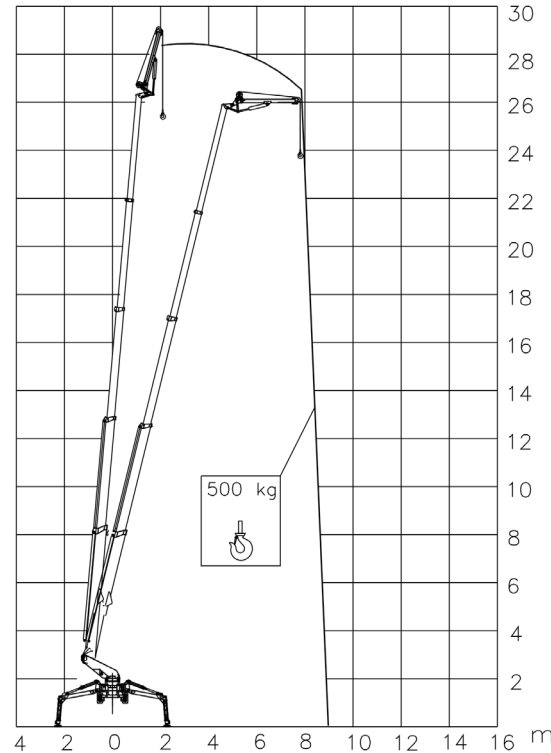
**BI-ENERGY**



Diesel  
14,7 kW



Single-phase  
Electric motor  
230VAC - 2,2 kW



TSJ 30.1/C		28,5 m	9 m	500 kg	660°	180x70 cm	90°+80°	2,86-4,79 m	42%	42%	1,2 km/h	4580 kg	29 kN	1,94 kN/m <sup>2</sup>	3,83 kN/m <sup>2</sup>
TSJ 30.1/R		28,5 m	9 m	500 kg	660°	180x70 cm	90°+80°	2,86-4,79 m	44%	29%	1,2 km/h	4840 kg	29 kN	2,05 kN/m <sup>2</sup>	3,85 kN/m <sup>2</sup>

Available power options:

- BI-ENERGY** (DIESEL+AC)
- ECO** (AC+BATTERY)
- HYBRID** (DIESEL+AC+BATTERY)

Characteristics and technical data are informative only and subjected to change without notice.

Palazzani Industrie S.p.A.  
Via del Pavione, 4 - 25050 - Paderno F.C. (BS) - Italy  
Tel. (+39) 0306857073  
info@palazzani.it  
www.palazzani.it



NC 829 A 22



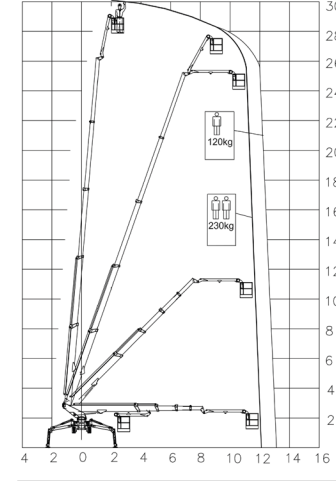
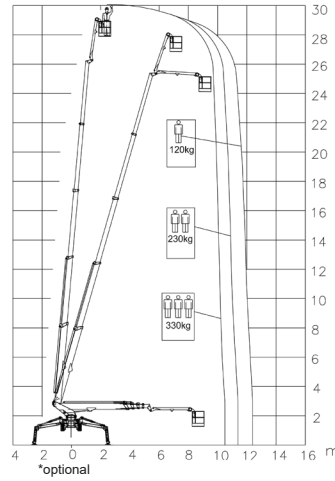
**ECO**

---

Single-phase  
Electric motor  
230VAC - 5,5 kW

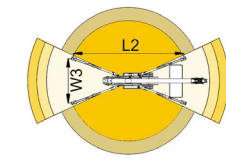
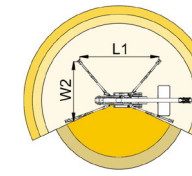
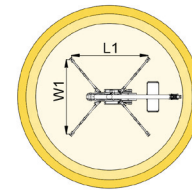
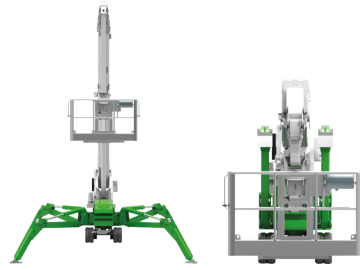
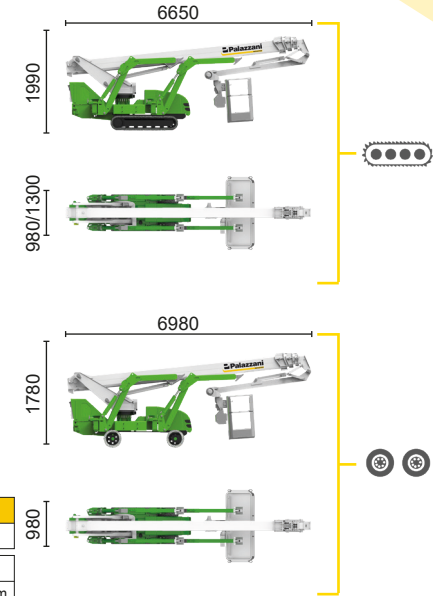
---

Lithium iron  
phosphate battery  
LiFePO4  
48V - 375 Ah



10,5 m	11,4 m	12,4 m	7,5 m	
330 kg*	230 kg	120 kg	120/230 kg	
L1	L2	W1	W2	W3
4927 mm	6436 mm	4791 mm	3828 mm	2865 mm

12 m	13 m	8 m		
230 kg	120 kg	230/120 kg		
L1	L2	W1	W2	W3
4927 mm	6436 mm	4791 mm	3828 mm	2865 mm



TSJ 30.1/C			30 m	13 m	330 kg*	660°	180x70 cm	90°+80°	2,86-4,79 m	44%	42%	1,2 km/h	4580 kg	29 kN	1,94 kN/m2	3,83 kN/m2
TSJ 30.1/R			30 m	13 m	330 kg*	660°	180x70 cm	90°+80°	2,86-4,79 m	44%	29%	1,2 km/h	4840 kg	29 kN	2,05 kN/m2	3,85 kN/m2

Available power options:

- BI-ENERGY** (DIESEL+AC)
- ECO** (AC+BATTERY)
- HYBRID** (DIESEL+AC+BATTERY)

Characteristics and technical data are informative only and subjected to change without notice.

Palazzani Industrie S.p.A.  
Via del Pavione, 4 - 25050 - Paderno F.C. (BS) - Italy  
Tel. (+39) 0306857073  
info@palazzani.it  
www.palazzani.it

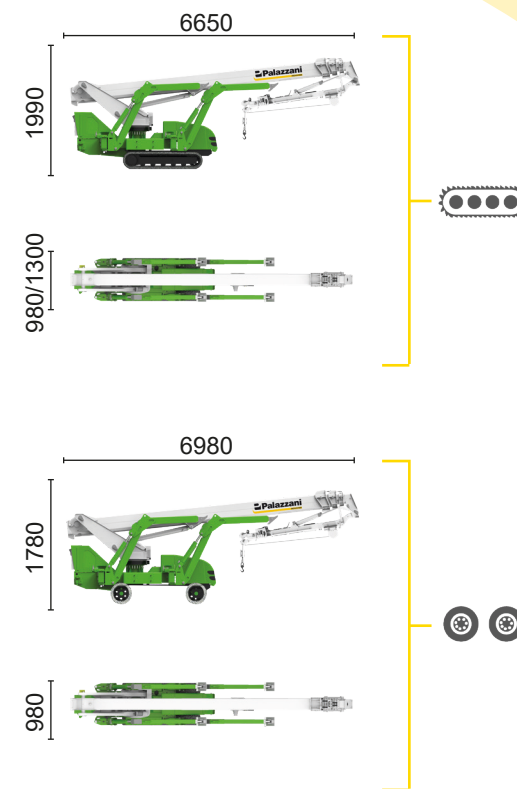
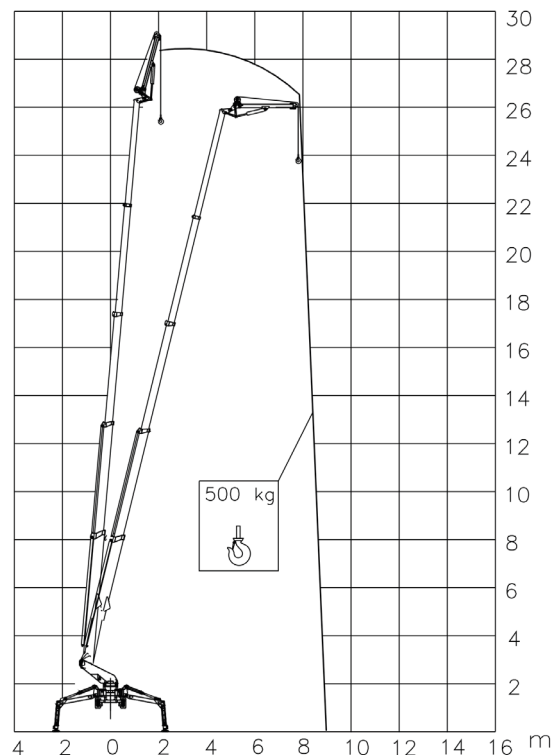




**ECO**

Single-phase  
Electric motor  
230VAC - 5,5 kW

Lithium iron  
phosphate battery  
LiFePO4  
48V - 375 Ah



TSJ 30.1/C		28,5 m	9 m	500 kg	660°	180x70 cm	90°+80°	2,86-4,79 m	42%	29%	1,2 km/h	4840 kg	29 kN	1,94 kN/m <sup>2</sup>	3,83 kN/m <sup>2</sup>
TSJ 30.1/R		28,5 m	9 m	500 kg	660°	180x70 cm	90°+80°	2,86-4,79 m	44%	29%	1,2 km/h	4840 kg	29 kN	2,05 kN/m <sup>2</sup>	3,85 kN/m <sup>2</sup>

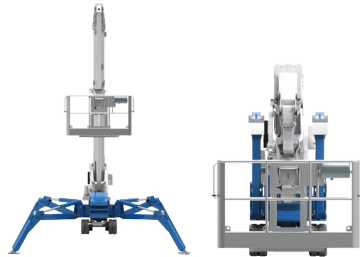
Available power options:

- BI-ENERGY** (DIESEL+AC)
- ECO** (AC+BATTERY)
- HYBRID** (DIESEL+AC+BATTERY)




Characteristics and technical data are informative only and subjected to change without notice.

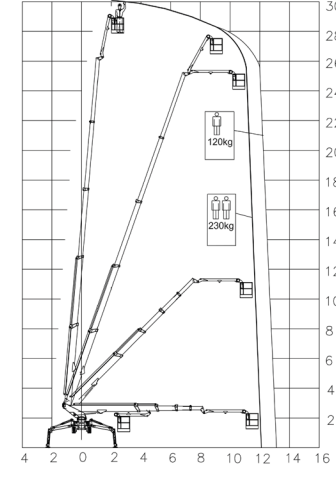
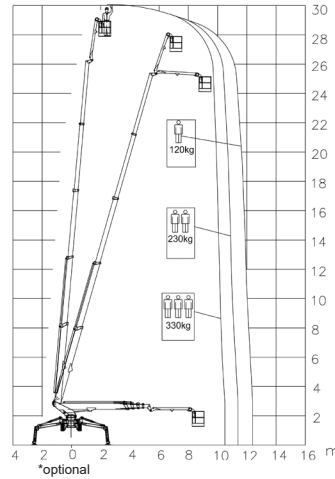
Palazzani Industrie S.p.A.  
Via del Pavione, 4 - 25050 - Paderno F.C. (BS) - Italy  
Tel. (+39) 0306857073  
info@palazzani.it  
www.palazzani.it





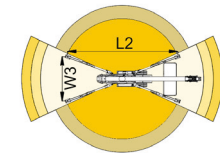
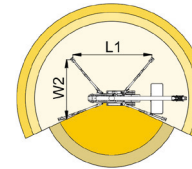
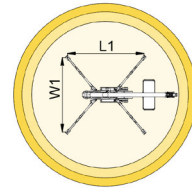
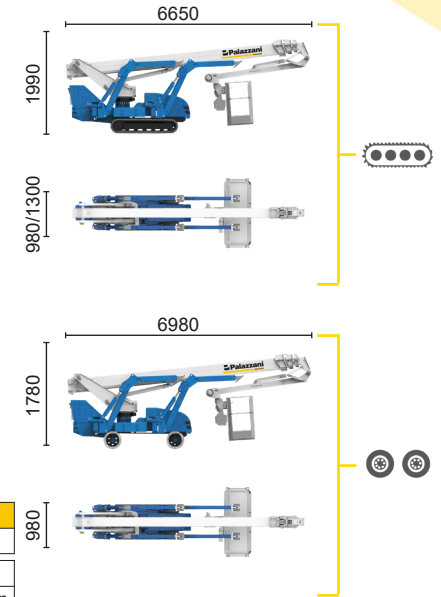
**HYBRID<sup>2</sup>**



-  Diesel  
14,7 kW
-  Single-phase Electric motor  
230VAC - 5,5 kW
-  Lithium iron phosphate battery  
LiFePO4  
48V - 210 Ah






10,5 m	11,4 m	12,4 m	7,5 m	
330 kg*	230 kg	120 kg	120/230 kg	
L1	L2	W1	W2	W3
4927 mm	6436 mm	4791 mm	3828 mm	2865 mm

12 m	13 m	8 m		
230 kg	120 kg	230/120 kg		
L1	L2	W1	W2	W3
4927 mm	6436 mm	4791 mm	3828 mm	2865 mm



TSJ 30.1/C		30 m	13 m	330 kg*	660°	180x70 cm	90°+80°	2,86-4,79 m	44%	42%	1,8 km/h	4940 kg	29 kN	2,09 kN/m <sup>2</sup>	4,13 kN/m <sup>2</sup>
TSJ 30.1/R		30 m	13 m	330 kg*	660°	180x70 cm	90°+80°	2,86-4,79 m	44%	29%	1,4 km/h	5040 kg	29 kN	2,14 kN/m <sup>2</sup>	4,01 kN/m <sup>2</sup>

Available power options:

-  **BI-ENERGY** (DIESEL+AC)
-  **ECO** (AC+BATTERY)
-  **HYBRID<sup>2</sup>** (DIESEL+AC+BATTERY)

Characteristics and technical data are informative only and subjected to change without notice.


Palazzani Industrie S.p.A.  
Via del Pavione, 4 - 25050 - Paderno F.C. (BS) - Italy  
Tel. (+39) 0306857073  
info@palazzani.it  
www.palazzani.it





NC 832 A 22

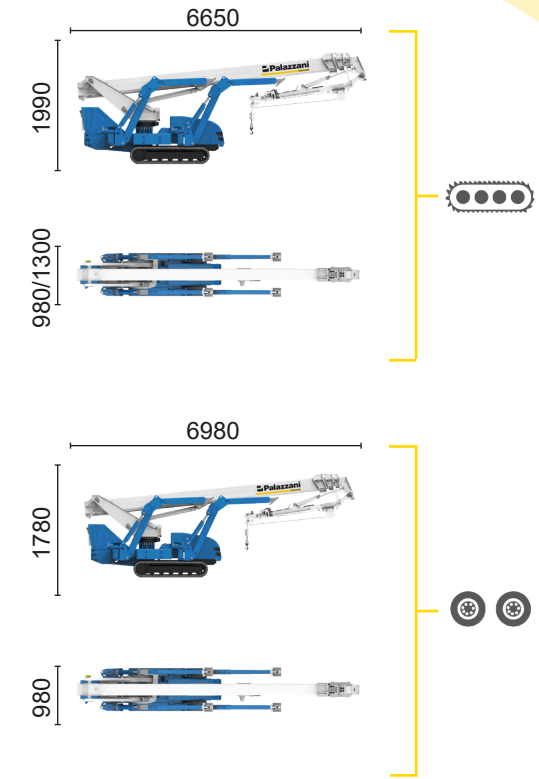
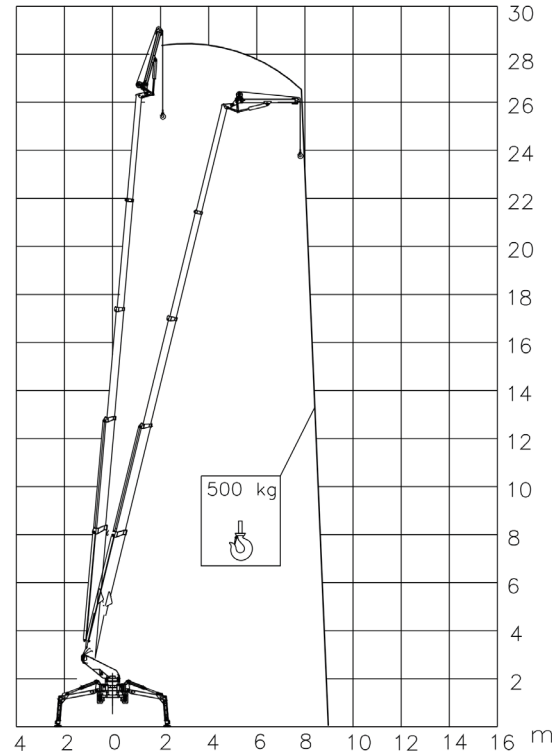




**HYBRID<sup>2</sup>**

 Diesel  
14,7 kW

 Single-phase  
Electric motor  
230VAC - 5,5 kW

 Lithium iron  
phosphate battery  
LiFePO4  
48V - 210 Ah



TSJ 30.1/C		28,5 m	9 m	500 kg	660°	180x70 cm	90°+80°	2,86-4,79 m	44%	42%	1,8 km/h	4940 kg	29 kN	2,09 kN/m <sup>2</sup>	4,13 kN/m <sup>2</sup>
TSJ 30.1/R		28,5 m	9 m	500 kg	660°	180x70 cm	90°+80°	2,86-4,79 m	44%	29%	1,4 km/h	5040 kg	29 kN	2,14 kN/m <sup>2</sup>	4,01 kN/m <sup>2</sup>

Available power options:

- BI-ENERGY** (DIESEL+AC)
- ECO** (AC+BATTERY)
- HYBRID<sup>2</sup>** (DIESEL+AC+BATTERY)

Characteristics and technical data are informative only and subjected to change without notice.

Palazzani Industrie S.p.A.  
Via del Pavione, 4 - 25050 - Paderno F.C. (BS) - Italy  
Tel. (+39) 0306857073  
info@palazzani.it  
www.palazzani.it

