

With Us, You can

HIGH
GREEN
SAFE



19 m



8,5 m



200 kg



Bi-energy
Eco



Crawlers
Wheels





STANDARD EQUIPMENT

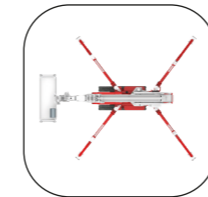
- Available power options: Bi-energy (Diesel + AC), Eco (AC+Battery)
- CANBUS electronics
- Hydraulic steering and transmission on rubber tracks
- Hydraulic set-up with 4 independent outriggers, of the fixed type
- 2 aluminium made articulated booms
- Safe working load 200 kg
- Aluminium cage 140x70x110 cm, with automatic self-levelling and hydraulic rotator 90° + 90°, equipped with support of fast disassembling for narrow passages
- Boom slewing under any condition of load and set-up at 360°
- Electric and proportional controls on dual panel: cage panel and ground panel
- 230VAC electric plug on the cage
- CE Mark homologation certificates, manuals, stickers and spares book in English language



KIT PALCONNECT
Remote connection service with the aerial platform that allows the user to monitor the key parameters of use of the machine and intervene with some of them.



CUSTOMIZED COLOURS
possibility to customize the colours of the tracked lift with different RAL according to the client's corporate livery



AUTOMATIC LEVELLING SYSTEM
allows the leveling of the chassis automatically even on important slopes, allowing spider placement on roads and irregular grounds, or stairs.



NON-MARKING TRACKS
white rubber, ideal to operate indoor and/ or on delicate floors



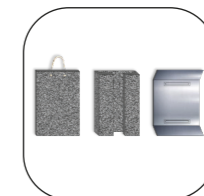
PEDAL ON THE CAGE
Safety pedal to operate the movements from the cage.



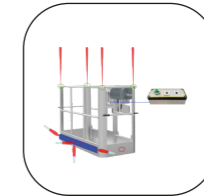
ADDITIONAL AIR/WATER PIPES
Extra-large diameter compressed air/water pipe to the basket.



KIT 2 SPEEDS
Increased transfer speed kit up to 2.4 km/h to be used for translation



ADDITIONAL PLATES
Additional plates to distribute the load of the stabilizers on the ground and have greater stability of the machine.



BASKET ANTI-COLLISION KIT
The laser sensors monitor the distance between the operator and any vertical obstacle, while ultrasonic sensors check the presence of any obstacles around the perimeter of the basket.



LED HEADLIGHT
One or more additional led headlights installed on the basket or on the boom.



RADIO CONTROL
Circuit of radio-wave driven controls, for ground operation even at a great distance.



ANEMOMETER
device for measuring the wind, with an acoustic warning of the wind max speed allowed for aerial working




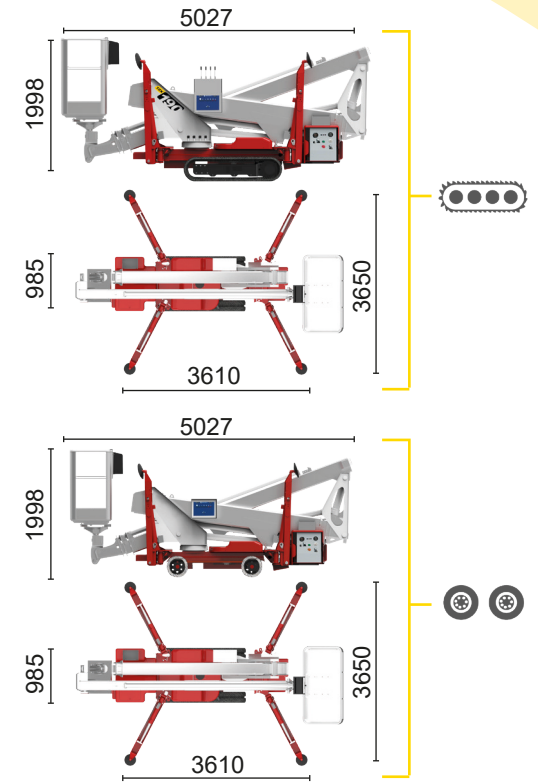
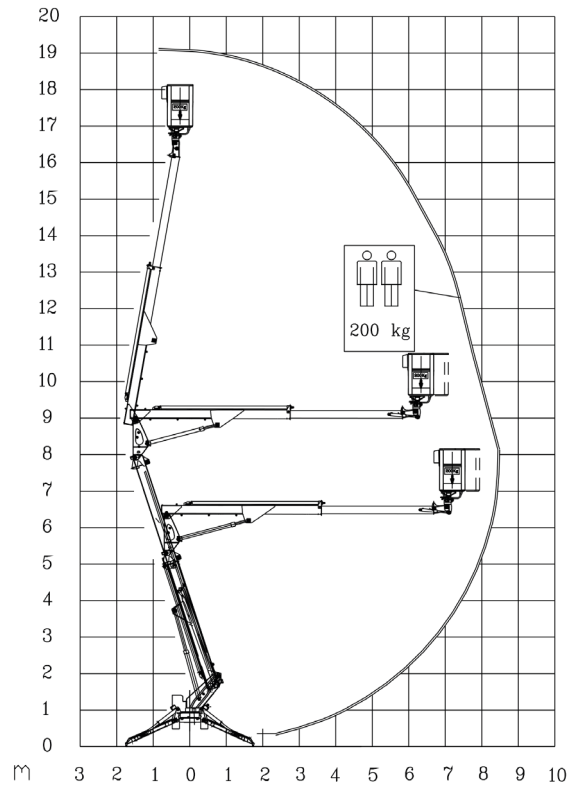
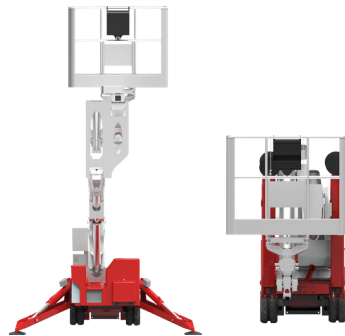
INTERCOM CIRCUIT
electronic device for voice communication between the operator at height in the basket and the operator on the ground





BI-ENERGY

 Diesel
10,6 kW

 Single-phase
Electric motor
230VAC - 2,2 kW



TZX 190/C		19 m	8,5 m	200 kg	360°	140x70 cm	90°+90°	3,65 m	21%	23%	2 km/h	2300 kg	16 kN	1,75 kN/m ²	3,27 kN/m ²
TZX 190/R		19 m	8,5 m	200 kg	360°	140x70 cm	90°+90°	3,65 m	21%	21%	1 km/h	2400 kg	16 kN	1,82 kN/m ²	3,41 kN/m ²

Available power options:

BI-ENERGY (DIESEL+AC)

ECO (AC+BATTERY)

Characteristics and technical data are informative only and subjected to change without notice.

Palazzani Industrie S.p.A.

Via del Pavione, 4 - 25050 - Paderno F.C. (BS) - Italy

Tel. (+39) 0306857073

info@palazzani.it

www.palazzani.it

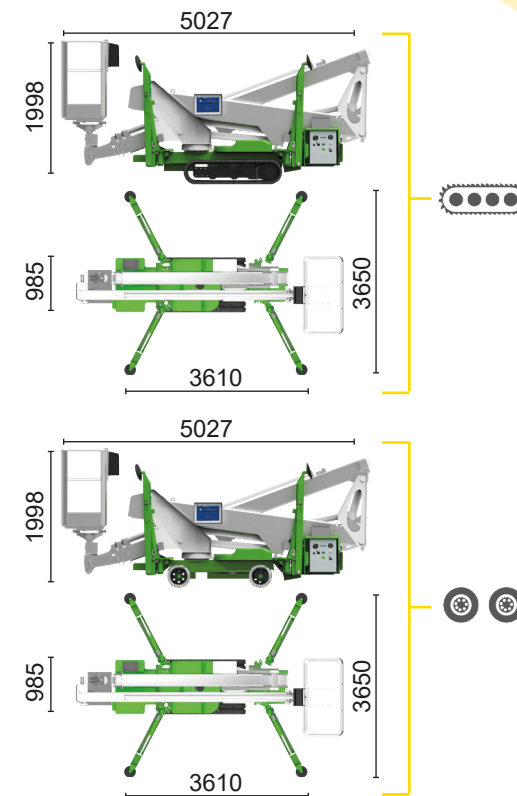
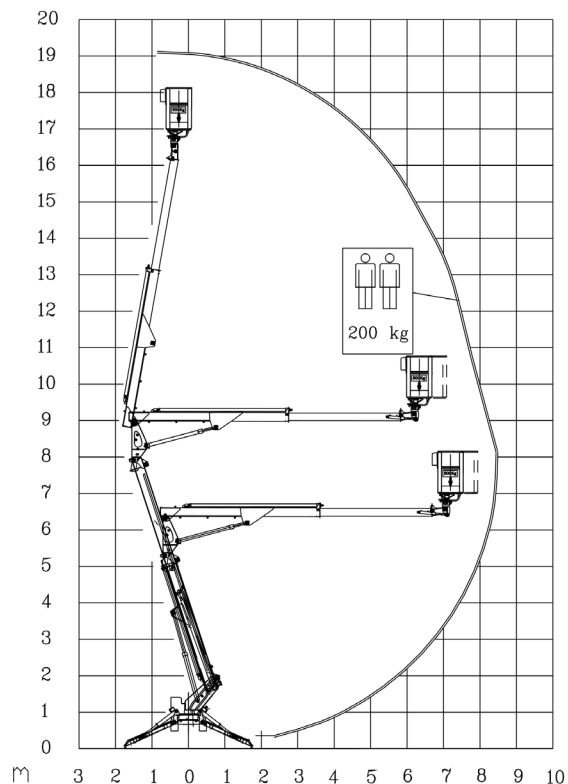
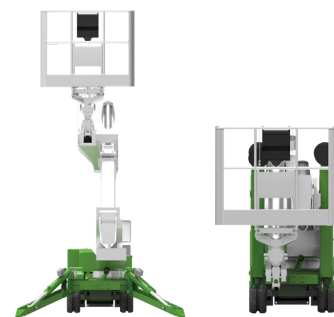




ECO

Single-phase
Electric motor
230 VAC - 5,5 kW

Lithium iron
phosphate battery
LiFePO4
48V 200Ah



TZX 190/C		19 m	8,5 m	200 kg	360°	140x70 cm	90°+90°	3,65 m	21%	23%	2,4 km/h	2300 kg	16 kN	1,75 kN/m ²	3,27 kN/m ²
TZX 190/R		19 m	8,5 m	200 kg	360°	140x70 cm	90°+90°	3,65 m	21%	21%	1 km/h	2400 kg	16 kN	1,82 kN/m ²	3,41 kN/m ²

Available power options:

BI-ENERGY (DIESEL+AC)

ECO (AC+BATTERY)

Characteristics and technical data are informative only and subjected to change without notice.

Palazzani Industrie S.p.A.

Via del Pavione, 4 - 25050 - Paderno F.C. (BS) - Italy

Tel. (+39) 0306857073

info@palazzani.it

www.palazzani.it

