

With Us, You can

HIGH
GREEN
SAFE

 22,5 m

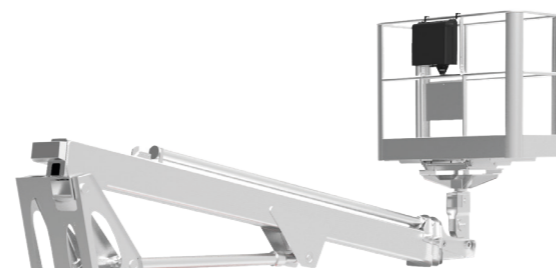
 10,2 m

 200 kg

 Bi-energy
Eco

 Crawlers
Wheels





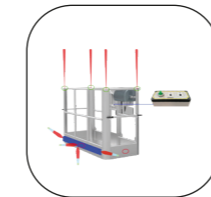
STANDARD EQUIPMENT

- Available power options: Bi-energy (Diesel + AC), Eco (AC+Battery)
- CANBUS electronics
- Hydraulic steering and transmission on rubber tracks
- Hydraulic set-up with 4 independent outriggers, of the fixed type
- 2 aluminium made articulated booms
- Safe working load 200 kg
- Aluminium cage 140x70x110 cm, with automatic self-levelling and hydraulic rotator 90° + 90°, equipped with support of fast disassembling for narrow passages
- Boom slewing under any condition of load and set-up at 360°
- Electric and proportional controls on dual panel: cage panel and ground panel
- 230VAC electric plug on the cage
- CE Mark homologation certificates, manuals, stickers and spares book in English language



RETURN TO HOME

The "return to home" function allows to automatically return to the transport position by pressing a button on the controls.



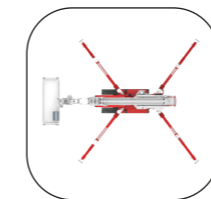
BASKET ANTI-COLLISION KIT

The laser sensors monitor the distance between the operator and any vertical obstacle, while ultrasonic sensors check the presence of any obstacles around the perimeter of the basket.



STABILIZER PROTECTION

Iron protection for the stabilizer rod to cover a delicate part of the machine that could be damaged by falling material.



AUTOMATIC LEVELLING SYSTEM

allows the leveling of the chassis automatically even on important slopes, allowing spider placement on roads and irregular grounds, or stairs.



PEDAL ON THE CAGE

Safety pedal to operate the movements from the cage.



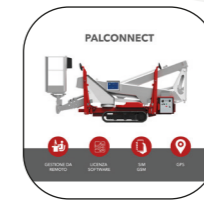
ADDITIONAL AIR/WATER PIPES

Extra-large diameter compressed air/water pipe to the basket.



KIT 2 SPEEDS

Increased transfer speed kit up to 2.4 km/h to be used for translation



KIT PALCONNECT

Remote connection service with the aerial platform that allows the user to monitor the key parameters of use of the machine and intervene with some of them.



ADDITIONAL PLATES

Additional plates to distribute the load of the stabilizers on the ground and have greater stability of the machine.



CUSTOMIZED COLOURS

possibility to customize the colours of the tracked lift with different RAL according to the client's corporate livery



LED HEADLIGHT

One or more additional led headlights installed on the basket or on the boom.



RADIO CONTROL

Circuit of radio-wave driven controls, for ground operation even at a great distance.



ANEMOMETER

device for measuring the wind, with an acoustic warning of the wind max speed allowed for aerial working



INTERCOM CIRCUIT

electronic device for voice communication between the operator at height in the basket and the operator on the ground



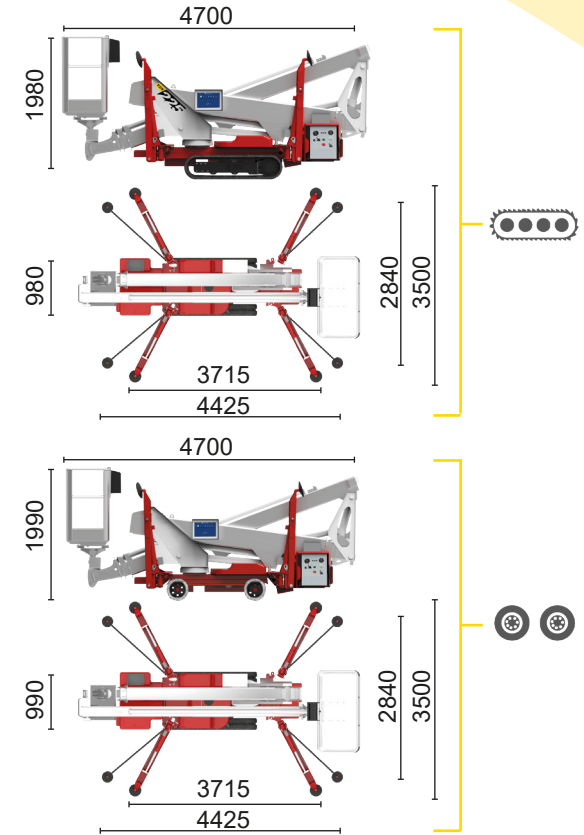
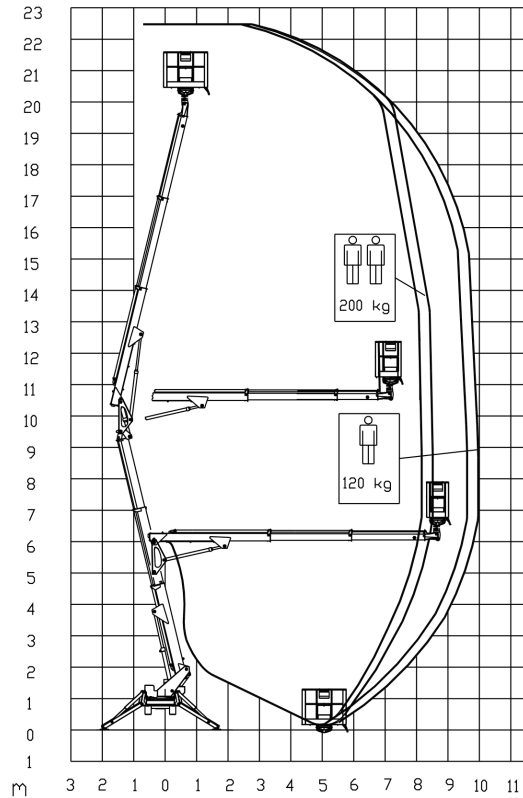
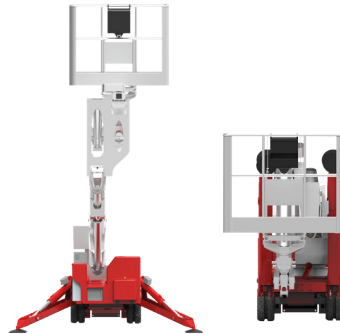
BI-ENERGY



Diesel
10,6 kW



Single-phase
Electric motor
230VAC - 2,5 kW



TZX 225/C		22,5 m	10,2 m	200 kg	360°	140x70 cm	90°+90°	2,84-3,5 m	19%	23%	2,4 km/h	2560 kg	19,5 kN	1,97 kN/m ²	3,8 kN/m ²
TZX 225/R		22,5 m	10,2 m	200 kg	360°	140x70 cm	90°+90°	2,84-3,5 m	19%	21%	1,5 km/h	2500 kg	19,5 kN	1,92 kN/m ²	3,8 kN/m ²

Available power options:

BI-ENERGY (DIESEL+AC)

ECO (AC+BATTERY)

Characteristics and technical data are informative only and subjected to change without notice.

Palazzani Industrie S.p.A.

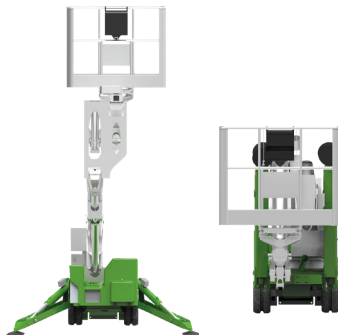
Via del Pavione, 4 - 25050 - Paderno F.C. (BS) - Italy

Tel. (+39) 0306857073

info@palazzani.it

www.palazzani.it

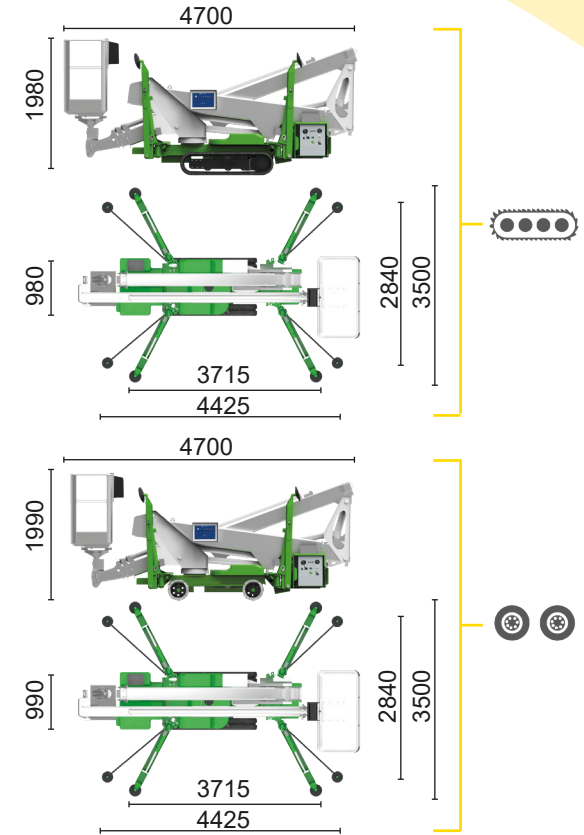
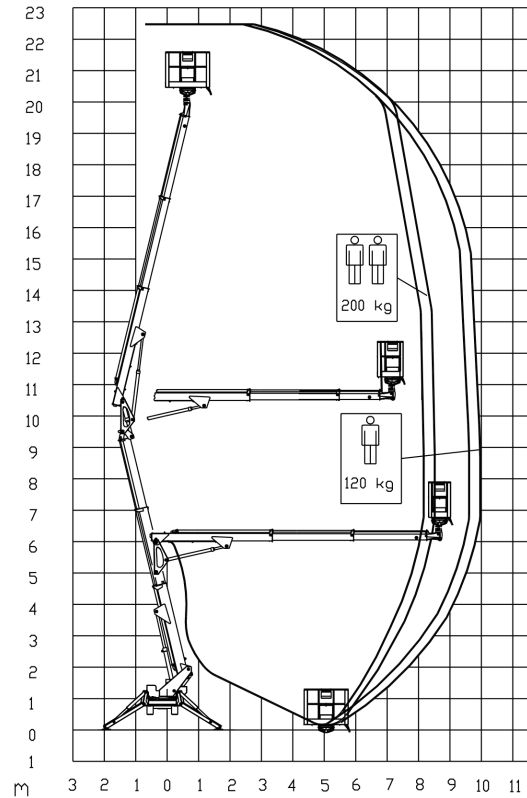






ECO

 Single-phase
Electric motor 23
230 VAC - 5,5 kW

 Lithium iron
phosphate battery
LiFePO4
24V 480Ah



TZX 225/C		22,5 m	10,2 m	200 kg	360°	140x70 cm	90°+90°	2,84-3,5 m	19%	23%	1,4 km/h	2500 kg	19,5 kN	1,92 kN/m ²	3,8 kN/m ²
TZX 225/R		22,5 m	10,2 m	200 kg	360°	140x70 cm	90°+90°	2,84-3,5 m	19%	21%	1,5 km/h	2500 kg	19,5 kN	1,92 kN/m ²	3,8 kN/m ²

Available power options:

BI-ENERGY (DIESEL+AC)

ECO (AC+BATTERY)

Characteristics and technical data are informative only and subjected to change without notice.

Palazzani Industrie S.p.A.

Via del Pavione, 4 - 25050 - Paderno F.C. (BS) - Italy

Tel. (+39) 0306857073

info@palazzani.it

www.palazzani.it

