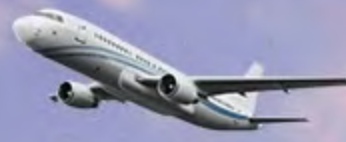




Your Vehicle Conversion
Specialists



CPL KL21B

#CPLNoNonsense

WEB: WWW.CPL-LTD.COM PHONE: 01536 529876 EMAIL: INFO@CPL-LTD.COM



CPL KL21B



Working Height

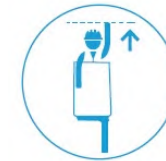


Product details

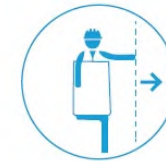
Mounted on: Renault Trafic 3t Van

- Engine start and stop from basket
- Independent emergency electric pump with all the features in the basket for maximum security
- Proportional controls
- Secure access to the working platform
- Hoses and cables are inside the boom structure for maximum protection
- Aluminium boom for optimum stability

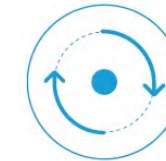
Technical Specifications



11.20m



6.0m



360°
Non-Continuous



120kg



No outriggers



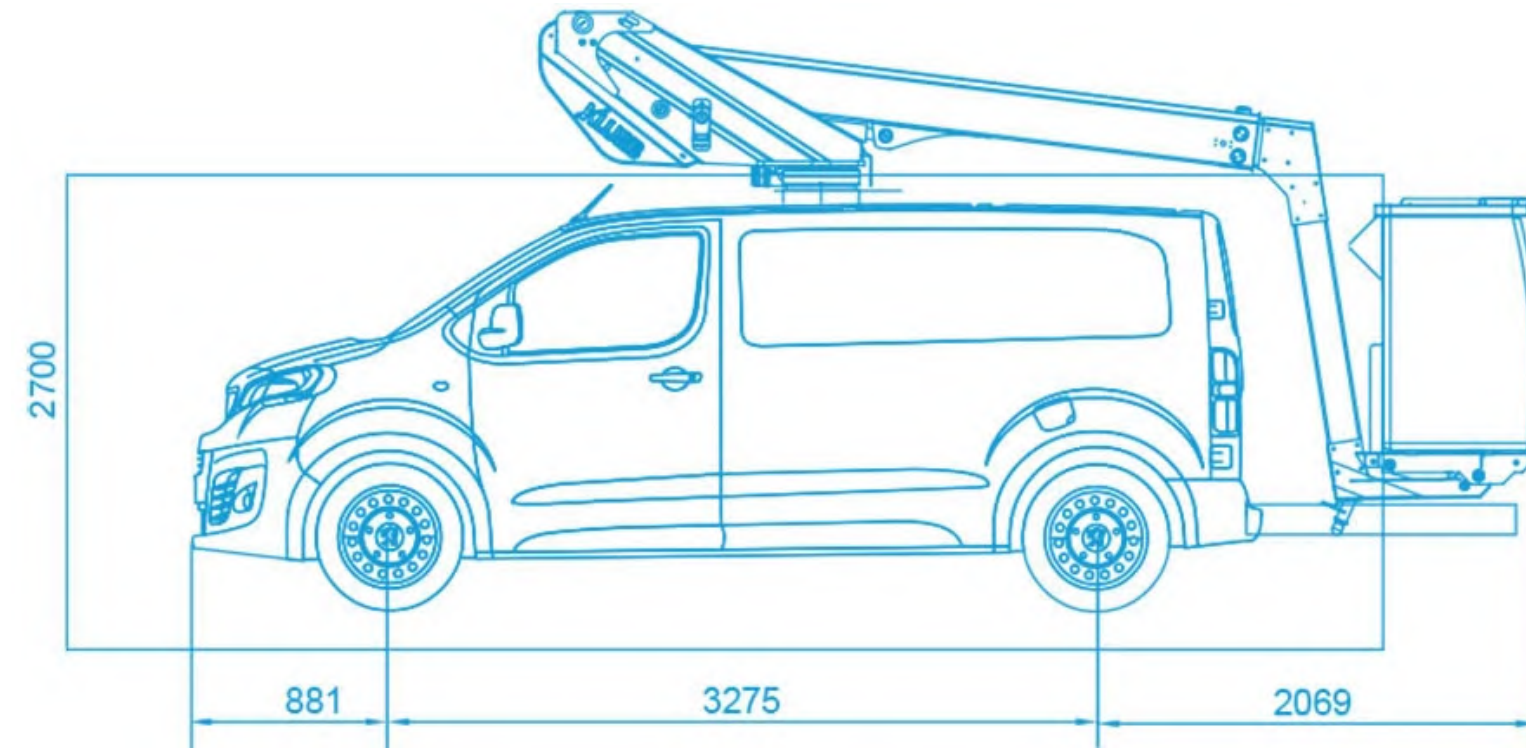
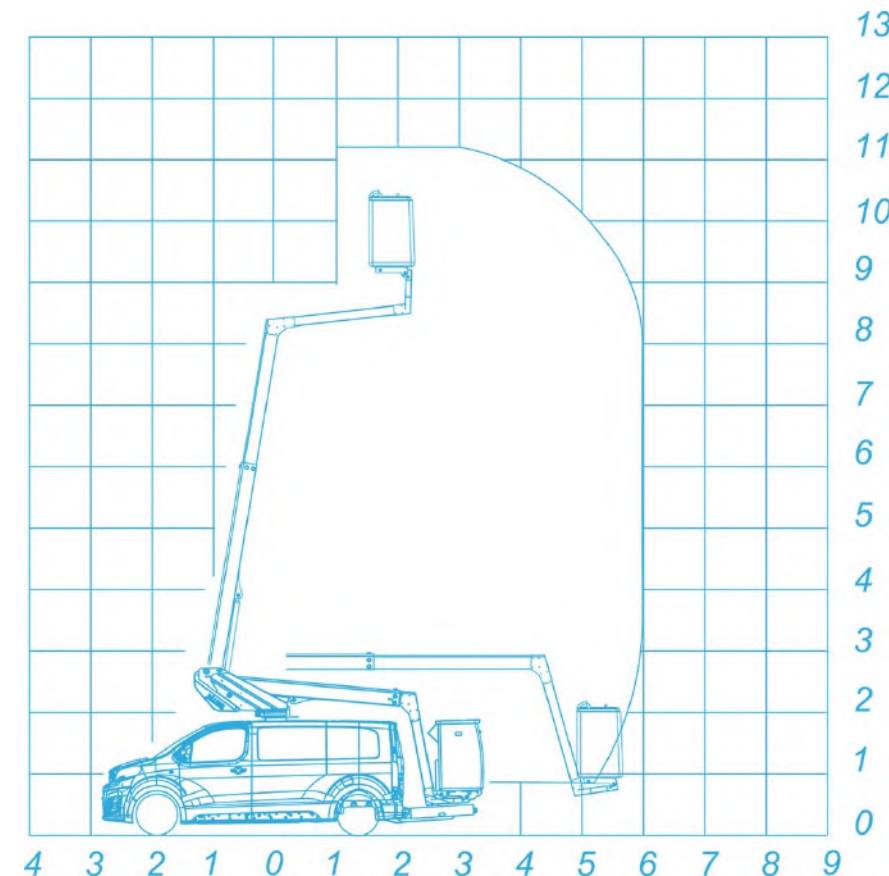
719 x 857 x 1130mm



Hour counter



3.0T





KL21B In Action





Our Full CPL Solutions



Van Mounted Platforms

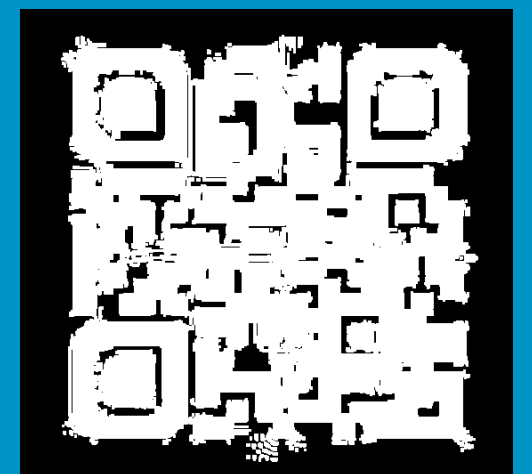
Tracked & Self-propelled Access Platforms

Pick Up Platforms & Arb trucks

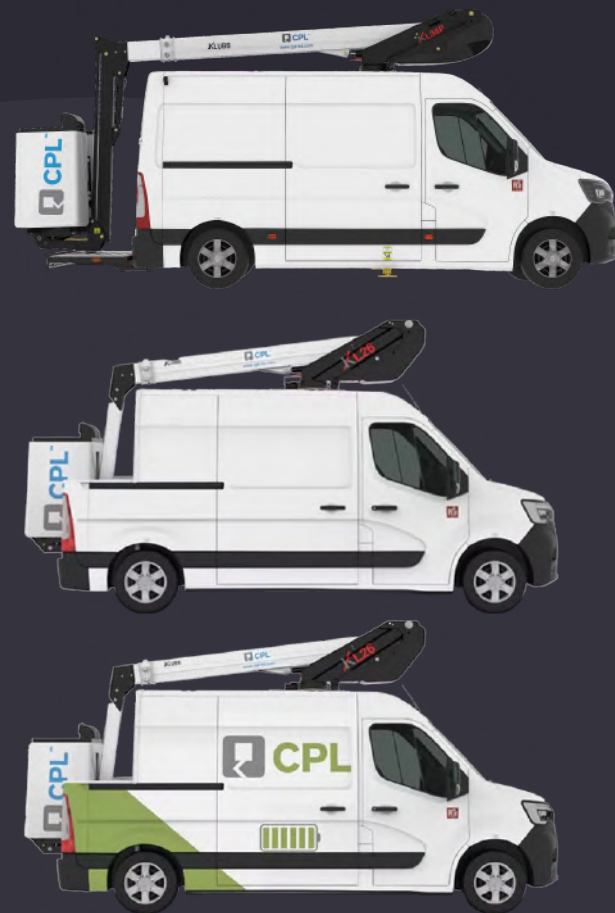
Truck and Chassis Platforms

And Much More!

Scan to view our full range of solutions



www.cpl-ltd.com/products/

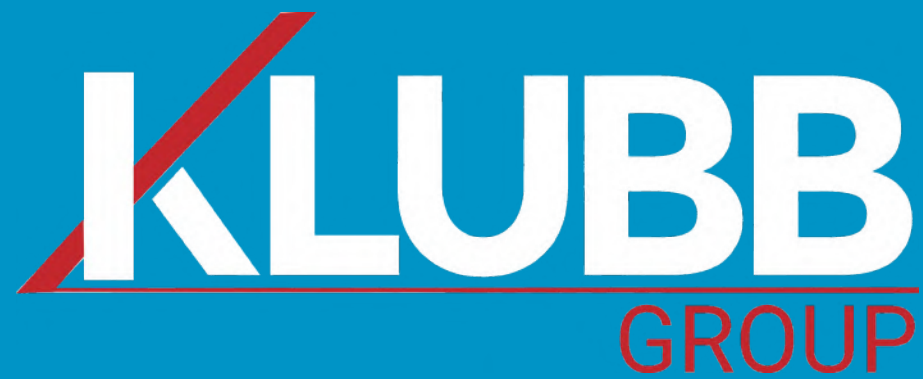


#CPLNoNonsense

WEB: WWW.CPL-LTD.COM PHONE: 01536 529876 EMAIL: INFO@CPL-LTD.COM



Clients & Partners



Part of the KLUBB Group

HOVER & [CLICK HERE](#)

To see more!

Clients & Partners

openreach nationalgrid



Manufacturer Approved

ISUZU

IVECO



Mercedes-Benz

TOYOTA





Our Values



RESPECTFUL

COMMITTED

DEPENDABLE

INNOVATIVE

PASSIONATE

EXCELLENCE

TRUSTED



Valued Long-term Relationships with clients and staff.

Proud as a company and as individuals, we care about providing you with the best experience.

We stick to our promises and challenge your need so you get the best solution.

We challenge ourselves and our partners to deliver the best solutions.

We are all about exceeding your personal expectations.

We always strive for excellence in everything we do.

We are trusted by our team, partners and clients to keep our word and standards of excellence.

#CPLNoNonsense

“No Nonsense,” reflecting our commitment to making processes straightforward and uncomplicated for you.